

A

B

C

D

E

F

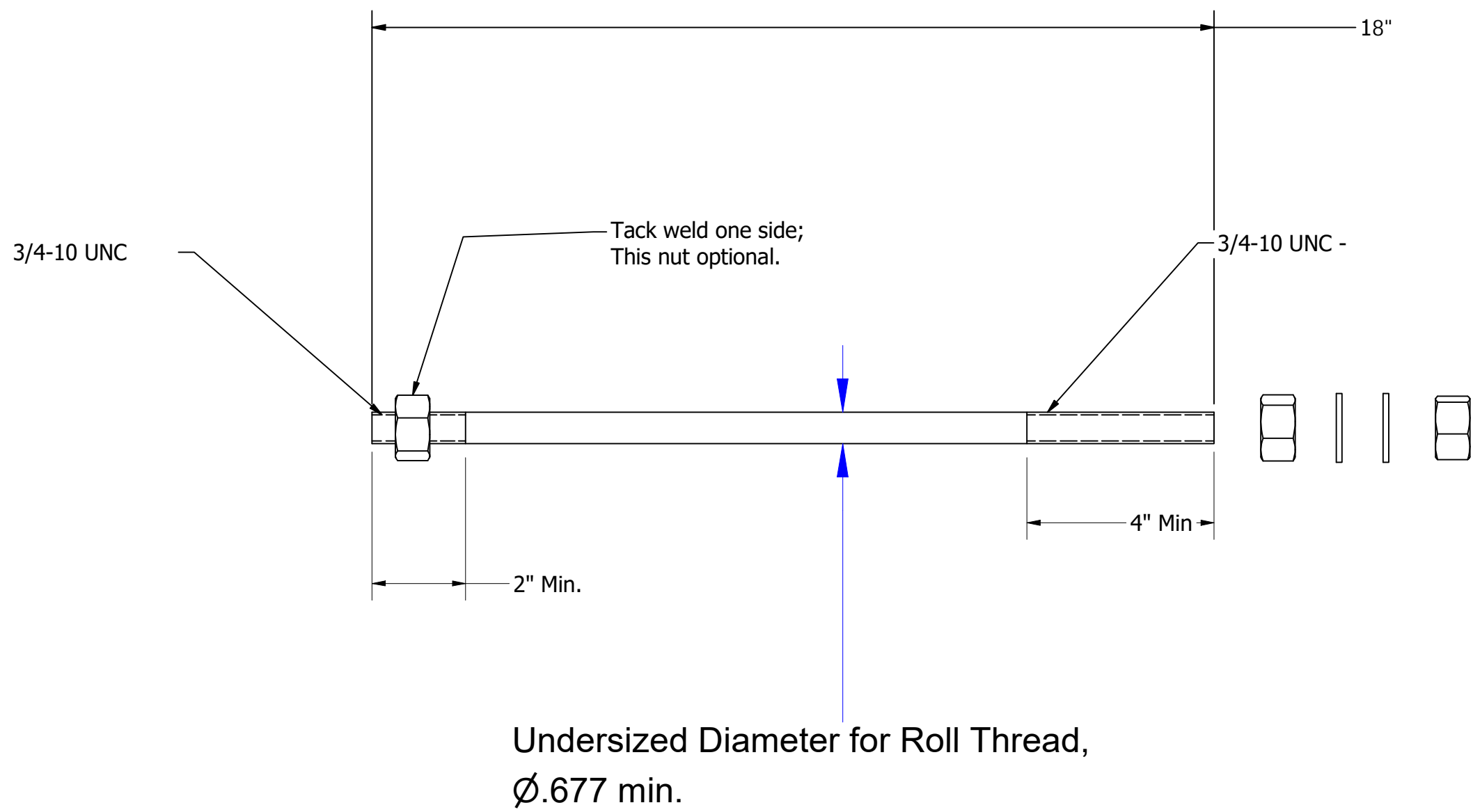
1

2

3

4

5



- Available in the Following Grades:
- F1554 Gr. 55
 - F1554 Gr. 55 Hot Dip Galv.
 - F1554 Gr. 105
 - 304 Stainless

UNLESS OTHERWISE SPECIFIED				DRAWN: Alan Harris		12/21/2021		Alexander Screw Products, Inc.		8750 Pendleton Pike Indianapolis, IN 46226	
DIMENSIONS ARE IN INCHES				MATERIAL		CHECK:		TITLE:		REV.	
.X	.XX	.XXX	ANGLE	SAE 304				AS075018S			
±	±	±	± 0.5°			ENGR:					
FINISH						12/21/2021					
125 ✓											
DIMENSIONING & TOLERANCING PER ASME Y14.5-2009				FINISH		REVISION BY:		SCALE		WT	
ALL DIMENSIONS IN INCHES [MM] BEFORE / AFTER SURFACE TREATMENT				Stainless				C		Anchor Bolt Print	
REMOVE ALL BURS AND SHARP EDGES						CUSTOMER:		SHEET		1 OF 1	
THREADS: EXT CLASS 2A, INT 2B								N/A			
PROTECTIVE WRAP OR EQUIV. IDENTIFY PART ON WRAP OR EQUIV.											

Anchor Bolt Print

P/N